

Linear Pendant (Infinium)



ABOUT INFINIUM

The Infinium Track System represents the pinnacle of architectural track lighting design. Engineered as a magnetic track platform, Infinium offers unparalleled freedom for designers and architects through seamless fixture integration, curved track capabilities, and an expanded range of high-end modules.

Material	Extruded Aluminum
Finish	Polyester Powder Coating
Colour	White / Black / Crystal
Beam Angle	100°
CRI	90+
UGR	<17

Linear Pendant (Infinium)



Agency:

Project Name:

Project Type:



Product Code

(Example: INFI-LIN-P-WH-30K-120D-0-10V)

1 Product Name	2 Finish	3 CCT	4 Beam Angle	5 Control
INFI-LIN-P – Infinium Cell Adjustable	WH – White BK – Black	27K – 2700K 30K – 3000K 35K – 3500K 40K – 4000K	100D – 100°	DALI – DALI 0-10V – 0/10V

Order Code

1	2	3	4	5
----------	----------	----------	----------	----------

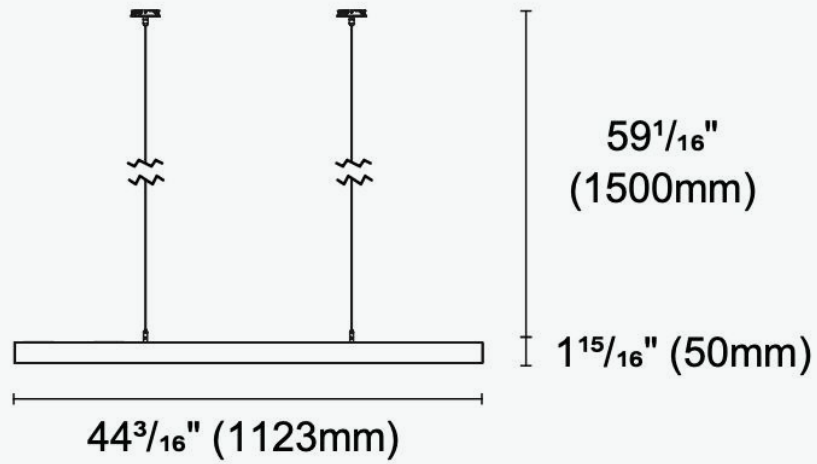
Complete the order code by selecting one option per category.

Linear Pendant (Infinium)



Product Details

Linear Pendant



Product measurements are listed above for each configuration type.

Linear Pendant (Infinium)

Technical Specifications

MATERIAL

Constructed from premium extruded aluminum, the Infinium Track combines strength, precision, and durability in a sleek architectural form. Its lightweight yet robust design ensures optimal heat dissipation, mechanical stability, and long-term performance—ideal for high-end retail, hospitality, and institutional applications.

TRIM OPTIONS & STYLE

Available in White, Black, or custom RAL finishes, the Infinium Track System offers complete design flexibility to match any architectural aesthetic. The system supports multiple configurations—including Slim, Standard, and Direct/Indirect profiles—allowing seamless integration across diverse ceiling and wall layouts.

LIGHT OUTPUT & PERFORMANCE

Engineered for precision illumination, Infinium supports a wide range of high-output modules designed for task, accent, or ambient lighting. Its magnetic track connection enables tool-free repositioning of fixtures, providing unmatched adaptability while maintaining consistent optical performance and low-glare comfort.

COLOR TEMPERATURE & BEAM ANGLE

The Infinium Track System supports multiple CCT options ranging from warm 2700K to crisp 4000K. Each fixture module offers tailored optics for specific applications, with beam spreads designed to deliver both focused and uniform illumination.

DIMMING & ELECTRICAL

The Infinium Track System supports multiple dimming protocols—including 0–10V and DALI—ensuring seamless integration with modern lighting control systems. It operates on 120V or 120–277V electrical infrastructure, providing reliable, flicker-free dimming and energy-efficient performance in any environment.

LIFE EXPECTANCY & OPERATING CONDITIONS

Built for longevity, all Infinium-compatible LED modules deliver over 60,000 hours of operation (L70) with minimal lumen depreciation. The system performs dependably in ambient conditions ranging from -20°C to 40°C (-4°F to 104°F), maintaining stable performance in both conditioned and open-air interiors.

HOUSING & CERTIFICATIONS

Offered in Surface Mounted, Suspended, and Recessed Track configurations, the Infinium System provides design flexibility for both new construction and retrofit applications. Each configuration is ETL Listed and Damp Rated, ensuring compliance with stringent North American safety and performance standards.